



UTG30N135ND-S

Preliminary

Insulated Gate Bipolar Transistor

1350V TRENCH GATE FIELD-STOP IGBT

DESCRIPTION

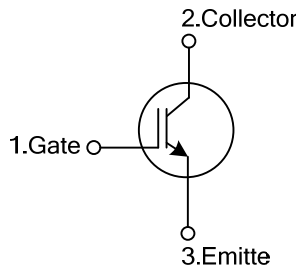
The UTC **UTG30N135ND-S** is an Trench Field-Stop Insulated Gate Bipolar Transistor. it uses UTC's advanced technology to provide customers with high switching speed, low saturation voltage and low switching loss, etc.

The UTC **UTG30N135ND-S** is suitable for the resonant or soft switching applications.

FEATURES

- * High switching speed
- * High avalanche ruggedness
- * Low saturation voltage: $V_{CE(SAT), Typ.} = 1.67V @ I_C=30A, V_{GE}=15V$ ($T_C = 25^\circ C$)

SYMBOL



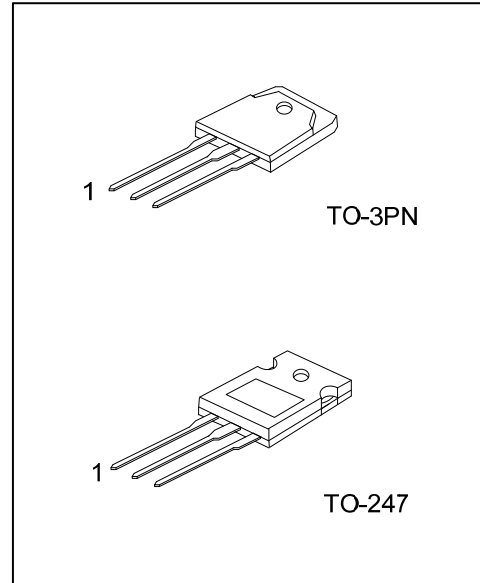
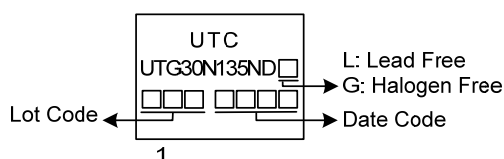
ORDERING INFORMATION

Ordering Number		Package	Pin Assignment			Packing
Lead Free	Halogen Free		1	2	3	
UTG30N135NDL-T47-T	UTG30N135NDG-T47-T	TO-247	G	C	E	Tube
UTG30N135NDL-T3N-T	UTG30N135NDG-T3N-T	TO-3PN	G	C	E	Tube

Note: Pin Assignment: G: Gate C: Collector E: Emitter

<p>UTG30N135NDG-T47-T</p> <p>(1) Packing Type (2) Package Type (3) Green Package</p>	<p>(1) T: Tube (2) T47: TO-247, T3N: TO-3PN (3) G: Halogen Free and Lead Free, L: Lead Free</p>
--	---

MARKING



■ ABSOLUTE MAXIMUM RATINGS (T_A=25°C, unless otherwise specified)

PARAMETER	SYMBOL	RATINGS	UNIT
Collector-Emitter Voltage	V _{CES}	1350	V
Gate-Emitter Voltage	V _{GES}	±20	V
Transient Gate-emitter voltage (t _p < 5 ms)		±25	V
Continuous Collector Current	I _C	T _C =25°C	60
		T _C =100°C	30
Collector Current Pulsed (Note 1)	I _{CM}	120	A
Short Circuit Withstand Time V _{GE} = 15V, V _{CC} ≤ 200V Allowed number of short circuits < 1000 Time between short circuits: ≥ 1.0s T _{VJ} = 25°C	t _{sc}	10	μs
Power Dissipation (T _C =25°C)	TO-247	245	W
	TO-3P	270	W
Operating Junction Temperature	T _J	-40 ~ +175	°C
Storage Temperature Range	T _{STG}	-55 ~ +175	°C

Notes: 1. Absolute maximum ratings are stress ratings only and functional device operation is not implied.
 Absolute maximum ratings are those values beyond which the device could be permanently damaged.
 2. Pulse width limited by maximum junction temperature.

■ THERMAL DATA

PARAMETER	SYMBOL	RATING	UNIT
Junction to Case	TO-247	0.51	°C/W
	TO-3P	0.46	°C/W

■ ELECTRICAL CHARACTERISTICS (T_C=25°C, unless otherwise specified)

PARAMETER	SYMBOL	TEST CONDITIONS	MIN	TYP	MAX	UNIT
OFF CHARACTERISTICS						
Collector-Emitter Breakdown Voltage	BV _{CES}		1350			V
Collector Cut-Off Current	I _{CES}	V _{CE} =1350V, V _{GE} =0V			250	μA
G-E Leakage Current	I _{GES}	V _{CE} =0V, V _{GE} =±20V			±250	nA
On CHARACTERISTICS						
Gate to Emitter Threshold Voltage	V _{GE(TH)}	I _C =250μA, V _{CE} =V _{GE}	4.5		6.5	V
Collector to Emitter Saturation Voltage	V _{CE(SAT)}	I _C =30A, V _{GE} =15V	T _C =25°C	1.67	2.1	V
			T _C =125°C	2.0		V
DYNAMIC CHARACTERISTICS						
Input Capacitance	C _{IES}	V _{CE} =25V, V _{GE} =0V, f=1MHz		2910		pF
Output Capacitance	C _{OES}			81		pF
Reverse Transfer Capacitance	C _{RES}			30.5		pF
SWITCHING CHARACTERISTICS						
Turn-On Delay Time	t _{DON}	V _{CC} =600V, I _C =30A, R _G =5Ω, V _{GE} =0~15V, L=500μH		24.9		ns
Rise Time	t _R			30.1		ns
Turn-Off Delay Time	t _{DOFF}			110.6		ns
Fall Time	t _F			257.6		ns
Turn-On Switching Loss	E _{ON}			2.08		mJ
Turn-Off Switching Loss	E _{OFF}			2.4		mJ

UTC assumes no responsibility for equipment failures that result from using products at values that exceed, even momentarily, rated values (such as maximum ratings, operating condition ranges, or other parameters) listed in products specifications of any and all UTC products described or contained herein. UTC products are not designed for use in life support appliances, devices or systems where malfunction of these products can be reasonably expected to result in personal injury. Reproduction in whole or in part is prohibited without the prior written consent of the copyright owner. UTC reserves the right to make changes to information published in this document, including without limitation specifications and product descriptions, at any time and without notice. This document supersedes and replaces all information supplied prior to the publication hereof.